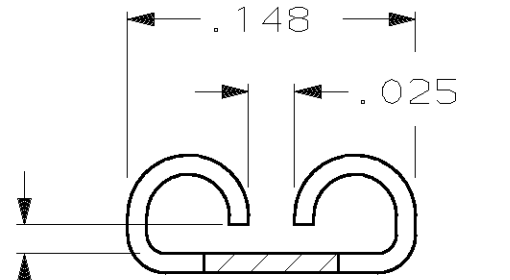
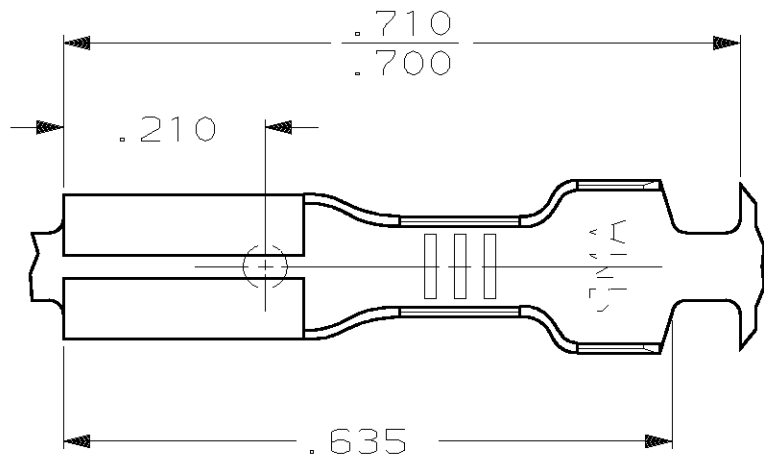


THIS DRAWING IS UNPUBLISHED. RELEASED FOR PUBLICATION, 19 .
 © COPYRIGHT 19 BY AMP INCORPORATED. ALL INTERNATIONAL RIGHTS RESERVED.

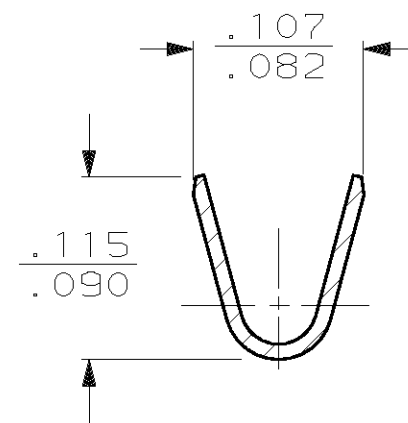
LOC	DIST	P	F	REVISIONS			
ZONE	LTR	DESCRIPTION	DATE	APPD			
AF	50			AP	REL PER 0G3A-0517-01	24SEP01	JR/PD

- 1 CONTINUOUS STRIP ON REELS.
- 2 MATING TAB THK IS .012±.001.
- 3 WIRE SIZE IS #22-#18 AWG.
- 4 INSULATION RANGE IS .060-.100 DIA
- △ 5 REELED ON PLASTIC REELS.

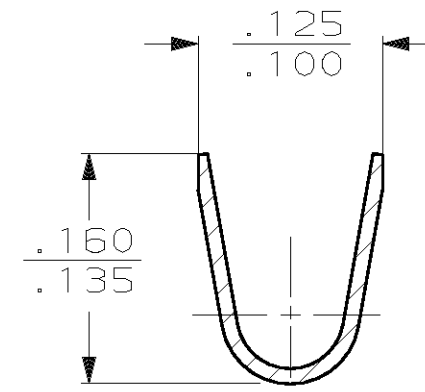


FITS .110 SERIES FASTON TAB

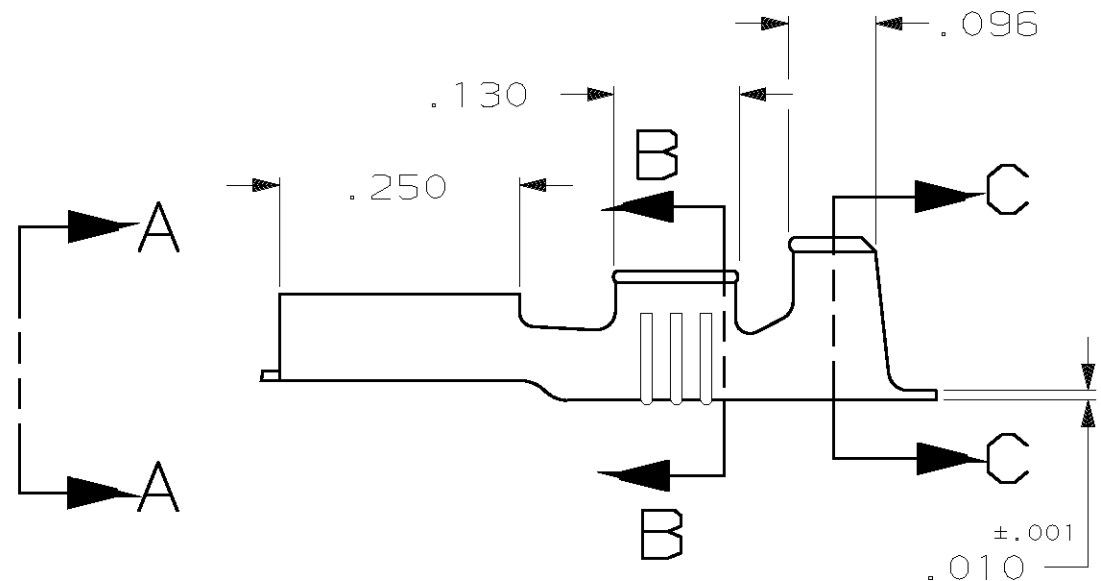
VIEW A-A



SECTION B-B



SECTION C-C



△ 5	60415-2
	60415-1

PART NO

DO NOT SCALE PRINT. UNLESS SPECIFIED DIMENSIONS ARE IN INCHES. TOLERANCES ON: 2 PLC DEC ± - 3 PLC DEC ± .015 ANGLES ± -	DR 6/23/87 JR RUTH
	CHK 6/23/87 G YETTER
	APPD 6/23/87 C MEYERS
	APPD 6/23/87 R KUZO
MATERIAL #4H BRASS	PRODUCT SPEC -
FINISH PRE-TIN	APPLICATION SPEC -
	WEIGHT -

AMP AMP Incorporated Harrisburg, PA 17105-3608		
NAME RECEPTACLE, FASTON,™ .110 SERIES		
SIZE B	CAGE CODE 00779	DRAWING NO C-60415
SCALE 5:1	SHEET 1 OF 1	

THIS DRAWING IS A CONTROLLED DOCUMENT FOR AMP INCORPORATED. IT IS SUBJECT TO CHANGE AND THE CONTROLLING ENGINEERING ORGANIZATION SHOULD BE CONTACTED FOR THE LATEST REVISION.